



industrial/wireless/performance

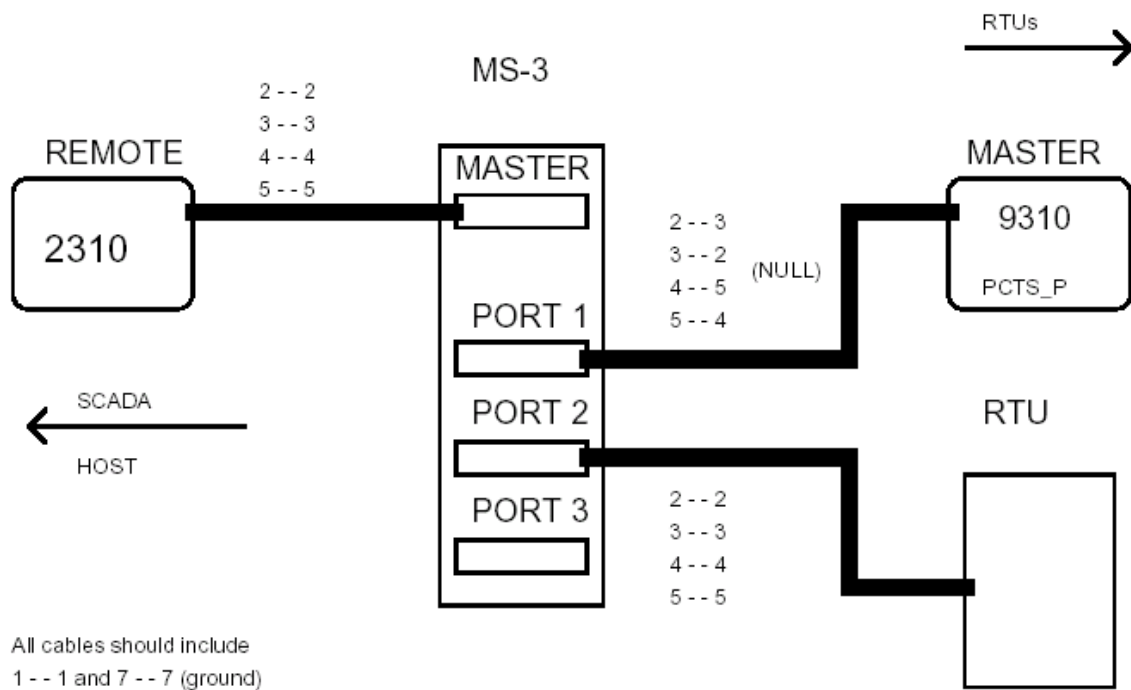
APPLICATION BULLETIN

NUMBER: AB94002
March 1994

MDS 9310 &
MAS PRODUCTS

Microwave Data Systems Inc., 175 Science Parkway, Rochester NY 14620 USA
Phone +1-585-241-5510, Fax +1-585-242-8369

MAS SYSTEM TO MDS 9310 EXTENSION WITH RTU (PIGGYBACK MODE)



Connections shown are for a generic RTU requiring RTS/CTS handshaking.

For more information, contact MDS Technical Services at techsupport@microwavedata.com, or by phone at +1-585-241-5510.